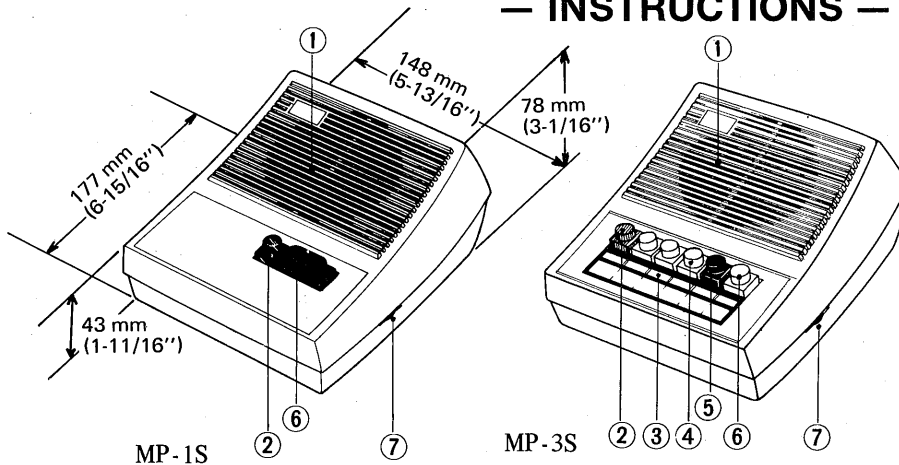


MID-POWER INTERCOM SYSTEM

MODEL: MP-1S (one call master)

MODEL: MP-3S (three call master)

— INSTRUCTIONS —



CONTROLS AND FUNCTIONS:

- ① Speaker/Microphone
- ② OFF Button
- ③ Call LED
- ④ Selector Button
- ⑤ CALL Button
- ⑥ TALK Button
- ⑦ Volume Control

SPECIFICATIONS:

- * Power Source: DC 12V – Use 1 PS-12A (or PS-12C in North America) power supply per system
- * Current Consumption: 1A maximum
- * Power Output: 2.5W maximum at 1KHz.
- * Wiring: Single pair per sub station
- * Output Impedance: 8 ohms

FEATURES:

- * Desk or Wall Mount
- * Call tone volume adjustable for individual station requirements
- * 2.5 Watt output for powerful communication
- * Audible call tone plus LED announce incoming calls
- * Ease of operation – Press to talk, Release to listen
- * Talkback ceiling speakers (optional) for added versatility
- * System can utilize up to 10 watt horns

COMPONENTS AVAILABLE FROM AIPHONE TO DESIGN YOUR MP-S INTERCOM SYSTEM



MP-1S: 1 call master station.



NP-B, Call button

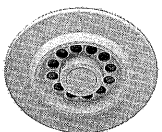


MP-3S: 3 call master station.

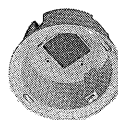


PS-12C: CSA & UL Listed power supply (available only in North America).

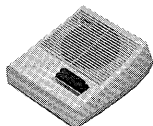
PS-12A: Power supply (not available in North America).



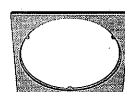
AS-3N: Ceiling or wall mount speaker.



N-EA: Round frame for AS-3N surface-mounting.



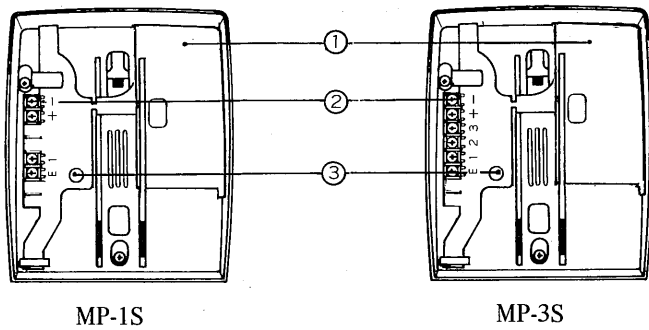
AS-3A: Desk or wall mount sub station.



NBZ-M: Square frame for AS-3N flush-mounting.

INSTALLATION:

Do not attempt to install your intercom system until you read and thoroughly understand the installation procedure. Aiphone's warranty is void if system is installed in a manner other than described in this manual.

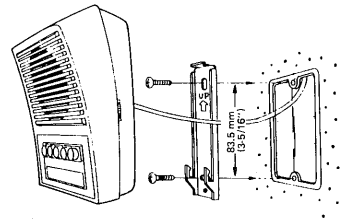


BACK VIEW

- ① Cover (do not open except for repair purposes).
- ② Terminal blocks:
1, 2, 3 : for sub station
E : for common communication
+, - : for power supply
- ③ Volume control for call tone. Adjust with screw driver to desired level.

WALL MOUNTING INSTALLATION:

- 1) Attach mounting bracket to wall or box with supplied screws.
- 2) Mount station on mounting bracket.



WIRING:

Two conductors are required from master to each sub. Connect 1 and E terminals on master to 1 and E terminals on sub #1, 2 and E terminals on master to 1 and E terminals on sub #2, etc.

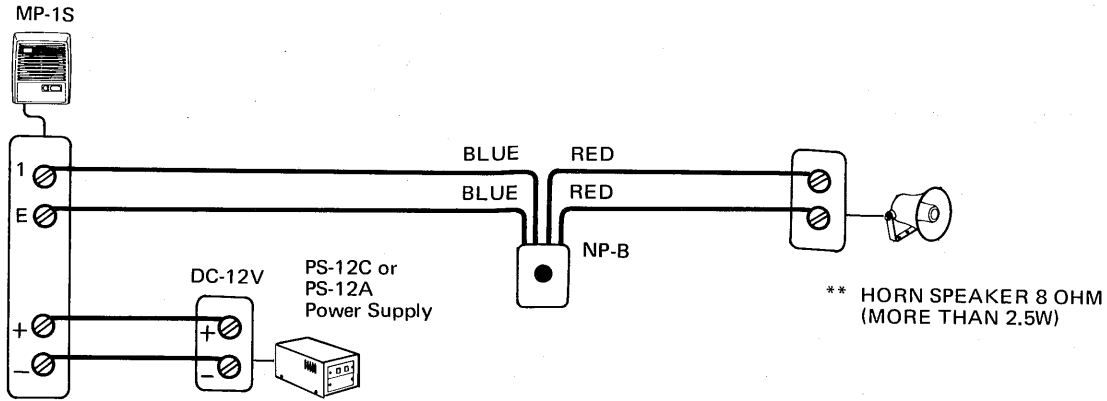
Refer to the chart below and select the proper wire gauge to meet your requirements.

AWG WIRE SIZE	22 AWG	20 AWG	18 AWG
DISTANCE	330'	500'	720'
DIAMETER OF WIRE	0.65 mm	0.8 mm	1.0 mm
DISTANCE	100 m	150 m	220 m

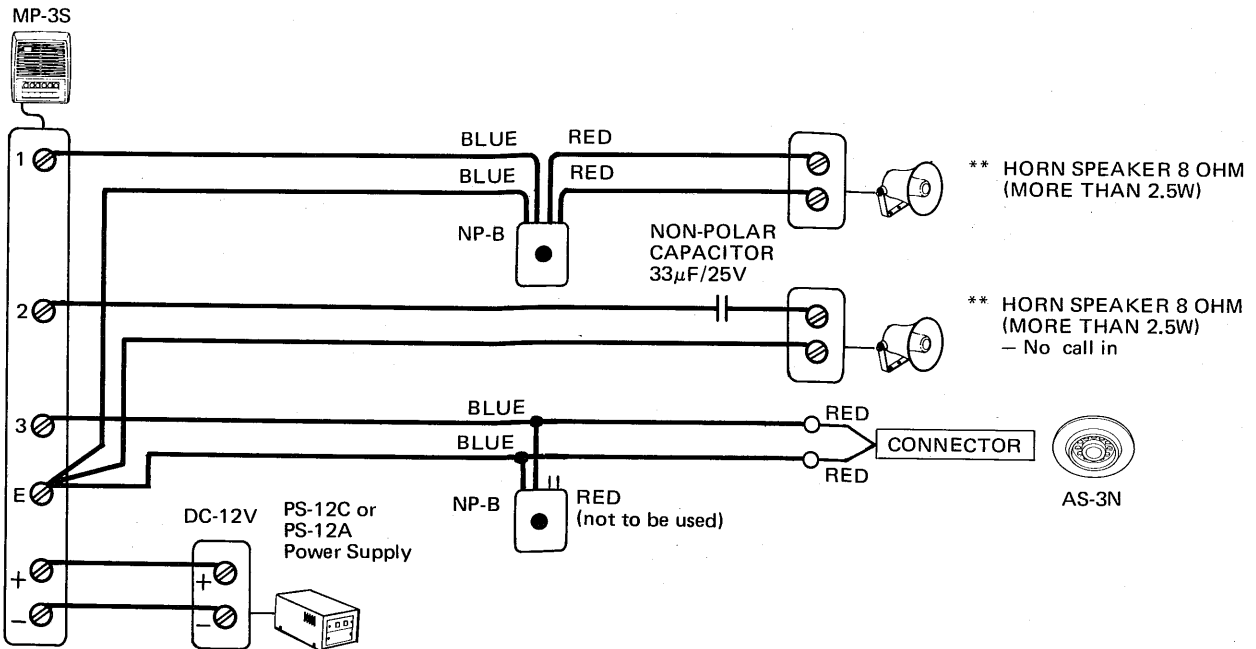
INSTALLATION HINTS:

- * The wiring is not polarized. Use single pairs from master station to each sub station.
- * Do not use common pairs from sub station to sub station.
- * Use Aiphone's NP-B for a call-in switch. Please see wiring diagrams for each connection.

MP-1S SYSTEM

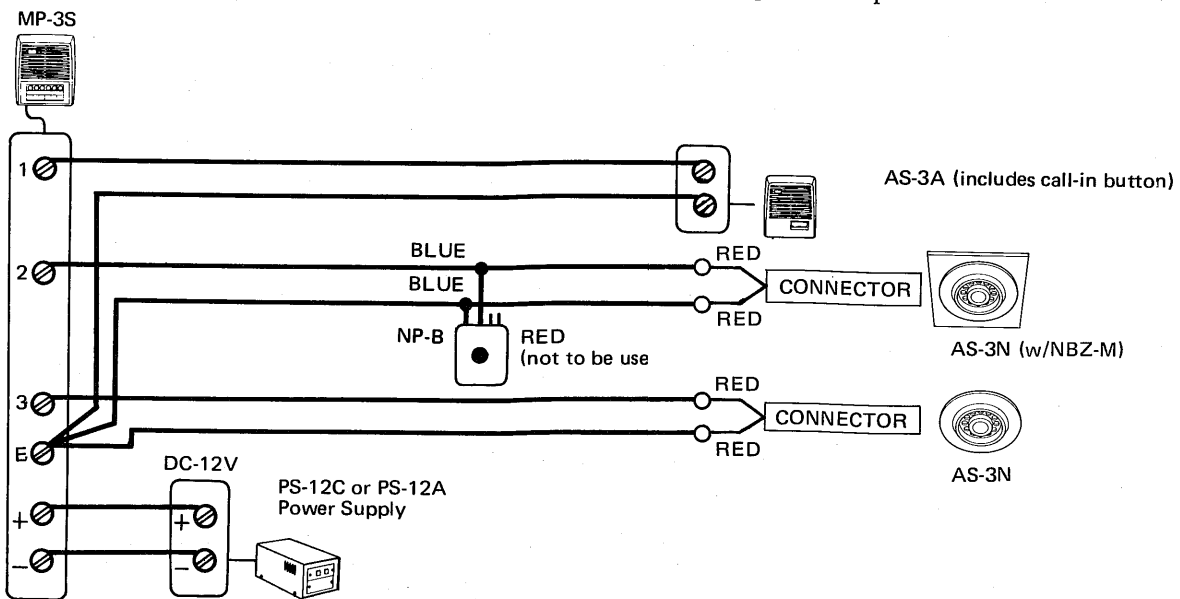


MP-3S SYSTEM



MP-3S SYSTEM, USING AIPHONE STANDARD SUB STATIONS

Select a suitable AIPHONE standard sub station in areas which do not require horn speakers.



** Horn speaker not available from Aiphone

MASTER STATION MP-1S

Operating Instructions –

* To Call:

1. Momentarily press both OFF and TALK buttons.
2. Press TALK button to talk, release to listen.
3. Upon completing conversation, press OFF button.

* To Receive:

1. Call is announced by call tone.
2. Press TALK button to talk, release to listen.
3. Upon completing conversation, press OFF button.

MASTER STATION MP-3S:

Operating Instructions –

* To Call:

1. Press selector button for desired station.
2. Momentarily press CALL button.
3. Press TALK button to talk, release to listen.
4. Upon completing conversation, press OFF button.

* To Receive:

1. Press selector button above lighted LED (Incoming calls are announced by both call tone and LED)
2. Press TALK button to talk, release to listen.
3. Upon completing conversation, press OFF button.

CLEANING YOUR INTERCOM STATIONS

- * Your Aiphone intercom stations may be cleaned with a soft cloth dampened with household cleanser, such as Mr. Clean or Fantastik.

* * *

We at AIPHONE are proud of our products. Our designers and engineers strive to bring you the finest in communication equipment. Each item has been carefully tested and inspected before leaving our factory. Properly installed and used, your Aiphone intercom system should give years of trouble-free service.

We are pleased to offer the following warranty:

WARRANTY

Aiphone warrants its products to be free from defects of material and workmanship under normal use and service for a period of one year after delivery to the ultimate user and will repair free of charge or replace at no charge, should it become defective upon which examination shall disclose to be defective and under warranty. Aiphone reserves unto itself the sole right to make the final decision whether there is a defect in materials and/or workmanship; and whether or not the product is within the warranty.

This warranty shall not apply to any Aiphone product which has been subject to misuse, neglect, accident, or to use in violation of instructions furnished, nor extended to units which have been repaired or altered outside of the factory.

This warranty does not cover batteries or damage caused by batteries used in connection with the product.

This warranty covers bench repairs only, and any repairs must be made at the shop or place designated in writing by Aiphone. Aiphone will not be responsible for any costs incurred involving on site service calls.

Aiphone Co., Ltd., Nagoya, Japan
Aiphone Corporation, Bellevue, Washington



MP-S-I(E) 1090H

Printed in Japan (E)